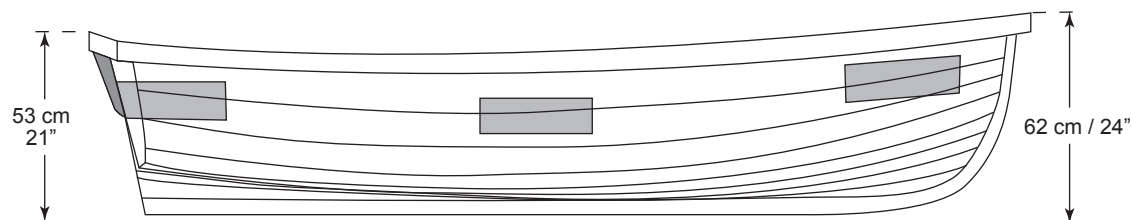


Walker Bay 8 (WB 8S)

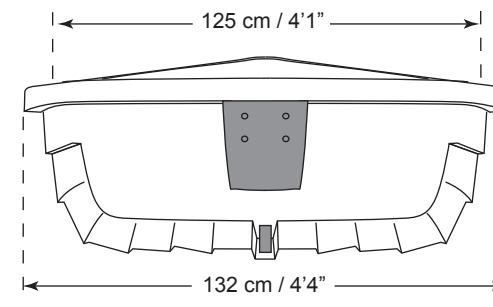
SPECIFICATIONS, MAXIMUM CAPACITIES & LIFTING POINTS



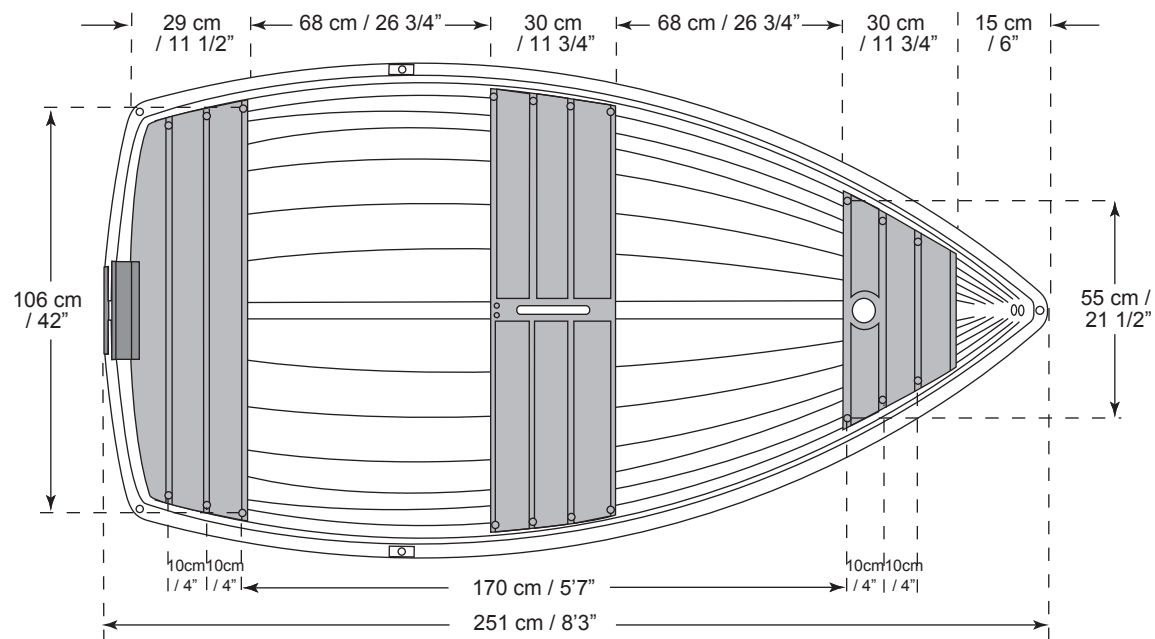
WALKER BAY



SIDE VIEW

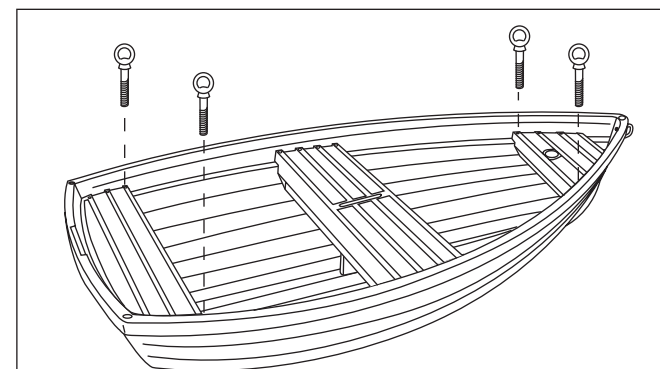


REAR VIEW



TOP VIEW

LIFTING POINTS



- Lifting eyes can be added quickly and easily to your Walker Bay 8.
- Simply replace 4 of the 1/4" #20 bolts securing the front and rear seats with 1-1/2" x 1/4" #20 stainless steel eye bolts (Eye bolts not included with boat).
- Make sure eye bolts are securely fastened.
- Check lifting eyes periodically to make sure they are securely fastened.

SPECIFICATIONS

MAXIMUM CAPACITIES

Tolerances +/- 3%

DESIGN CATEGORY (CE):	D
WEIGHT:	32 kg / 71 lb
OVERALL LENGTH (LOA):	251 cm / 8'3"
BEAM:	132 cm / 4'4"
INSIDE BEAM:	125 cm / 4'1"
DEPTH:	53 cm / 1'9"
MOTOR SHAFT LENGTH:	Short (15")
DISPLACEMENT:	708 kg / 1557 lb

USA / USCG*	
MAX LOAD:	425 lb
MAX PERSONS:	2
MAX PERSONS WEIGHT:	360 lb
MAX ENGINE POWER:	2 hp
MAX SPEED** (KNOTS/MPH)	6-8kt / 7-9mph
MAX SAIL AREA:	40 ft ²

EUROPE / CE / ISO*	
MAX LOAD:	170 kg
MAX PERSONS:	2
MAX PERSONS WEIGHT:	150 kg
FULLY LOADED CAFT WEIGHT:	215 kg
MAX ENGINE POWER:	1.5 kw
MAX SPEED** (KNOTS/KPH)	6-8kt / 11-15kph
MAX SAIL AREA:	4 m ²

*Capacity rating formulas are different for Europe and the United States; therefore, Maximum Load, Maximum Persons Weight and Maximum HP are different.

**Maximum speeds are estimates. Actual top speed will vary depending on type, make and model of motor and load in boat. The Walker Bay 8 and 10 hulls are displacement hulls, not planing hulls.